

TORQ ROTARY PHASE CONVERTER COMPONENT KITS

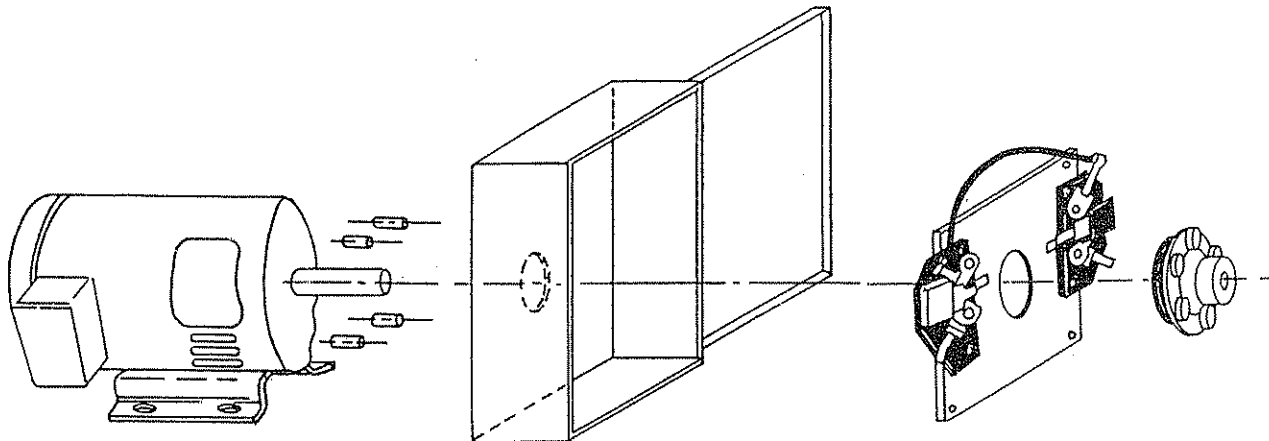
You are already familiar with Torq's starting switches specified as original equipment in many single phase motors. Now, Torq has customized their proven reliable products to provide you with a starting switch for a three phase motor when used as a Rotary Phase Converter. This design provides you with a highly reliable device which will "switch out" when the shaft is at the proper speed. Since it is electro-mechanical, it responds only to shaft speed - not to line surges or voltage variations. These unique kits allow you to construct your own custom converters from standard stocked components already familiar to you.

You can eliminate:

- Timers
- Voltage sensitive relays
- Contactors

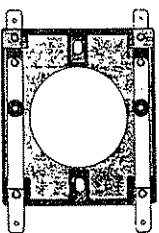
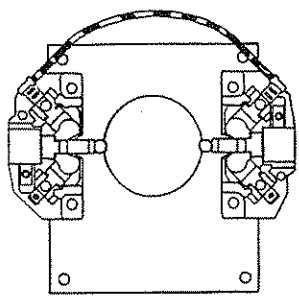
TYPICAL INSTALLATION

1. Select electrical enclosure to house Torq kit plus any terminal strip you desire. Allow for electrical clearances to meet applicable codes. Cut hole in back of enclosure to let phase converter shaft pass through enclosure.
2. Mount enclosure to end bell, using stand offs if endbell doesn't have a flat enough face. Stand off tubing can be purchased from McMaster-Carr (708) 833-0300.
3. Mount stationary switch inside enclosure on the back surface. Allow for electrical clearances to meet applicable codes. Connect wiring to switch.
4. Mount centrifugal mechanism on shaft. Slip on centrifugal mechanism so that **RUNNING CLEARANCE** between switch arm/buttons is in accordance with the instructive notes on the reverse side. Tighten two set screws.



This electromechanical method eliminates the effect of line voltage variations and the complaints and warranty call backs which can occur. Use this reliable, trouble free approach and order from the table on the back. If you have any questions, call us for technical support. Our specialized knowledge of rotational speed sensing technology is always available to you.

TORQ ROTARY PHASE CONVERTER COMPONENT KITS FOR 4 POLE 60 HERTZ 3 PHASE MOTORS WITH STANDARD SHAFT SIZES

TECHNICAL SPECIFICATIONS				MATCHING STATIONARY SWITCH	KIT CATALOG NUMBER
CONVERTER MOTOR SHAFT SIZE IN FRACTIONAL INCHES	4 POLE 60 HERTZ CENTRIFUGAL MECHANISMS (2)				
	RUNNING CLEARANCE INCHES (1)	SPOOL OD	TORQ CATALOG NUMBER		
5/8	.06	2.75	C-2023	 <p style="text-align: center;">2 REED STYLE (UP TO 35 AMPS) PLATE 3-7/16" L X 3-1/16" W</p> <p style="text-align: center;">CATALOG NUMBER S-7501</p>	K-9912
7/8	.06	2.75	C-2142		K-9913
1-1/8	.12	2.88	C-3154	 <p style="text-align: center;">CONTACTOR STYLE (UP TO 115 AMPS) PLATE 5-1/2" L X 4-3/4" W MAX DIMENSIONS 6-1/2" X 6-1/2"</p> <p style="text-align: center;">CATALOG NUMBER S-8027</p>	K-9914
1-3/8	.12	2.88	C-3155		K-9915
1-5/8	.12	2.88	C-3156		K-9916

NOTES:

- (1) **ATTENTION: PROPER RUNNING CLEARANCE IS IMPORTANT FOR OPTIMUM PERFORMANCE.**
Running clearance is the nominal distance between the centrifugal mechanism spool and the stationary switch buttons or switch arms when the centrifugal mechanism is at speed and retracted back from the switch. It should be measured when the mechanism is at rest by mechanically compressing the centrifugal mechanism spool to its backplate to simulate the running condition. The centrifugal mechanism is to be slipped on the shaft, proper running clearance established between spool and switch arms/buttons, and the centrifugal mechanism is to be attached to the shaft with two set screws.
- (2) Standard mechanisms for 4 pole 60 hertz applications are stocked. Centrifugal mechanisms for other speeds (2, 6, or 8 pole - 60 hertz; or 2, 4, or 6 pole - 50 hertz) can be supplied as a special made to order.